

Wilfley

**Centrifugal
Acid
Pump**

**Technical
Handbook**

Model AF



WILFLEY

The Wilfley Model AF is an end-suction, single stage, sealless (no packing, water glands or conventional mechanical seals) centrifugal pump. It handles solutions that are highly corrosive and abrasive. Discharge sizes range from 1/4" to 14" in diameter. Flow rates range from 4 gallons a minute to 10,000 per minute.

Sealless Operation

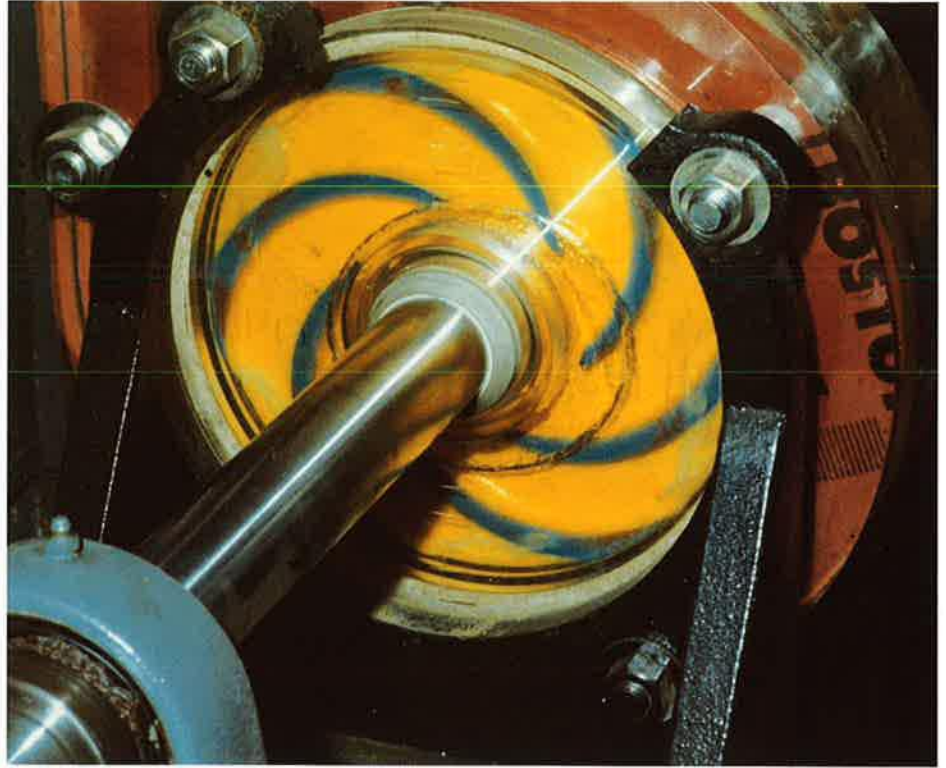
All Wilfley pumps are designed to be used without packing, water glands or conventional mechanical seals. To prevent leaking while running, AF pumps have a secondary impeller, the original Wilfley expeller, which creates a hydraulic seal. This hydraulic seal keeps the solution away from the shaft while the pump is operating. The impeller and expeller rotate together during operation.

Static seal faces prevent leakage when the pump is shut down. The pump remains leak free while running and while shut down.

Wilfley pumps can be run dry without damaging internal parts because wetted parts operate freely with no rubbing contact. Constant down time to repair and replace conventional contact seals is eliminated. Parts for all Wilfley pumps are designed for quick interchangeability resulting in minimum repair time.

Quality Control

Model AF pumps are thoroughly tested and inspected throughout each phase of production. All parts are 100% inspected during fabrication and installation. Cases are pressure tested to insure strength and durability. *Every AF pump is placed on a test track and operated to the exact performance specified before shipment.*



Wilfley hydraulic seal in actual operation.

The Wilfley organization is proud of the individual engineering service traditionally provided to customers. Each pump is made to perform to exact specifications. Wilfley also extends the same engineering service at no charge whenever the pumping conditions change.

Materials

A. R. Wilfley and Sons produces AF centrifugal Pumps from many materials. Wilfley can provide pumps with special combinations of alloys and non-metallic materials. Wilfley's engineering staff has

the expertise and experience to make material recommendations. To assist material selection Wilfley maintains an extensive library of pump services and corrosion/abrasive data. Wilfley is continually testing the effects of both abrasion and corrosion on a wide variety of materials.

Many types of stainless steel are used in the manufacture of Wilfley pumps. The most common are Alloy 20, 316, and CD4MCu. Other alloys are available.

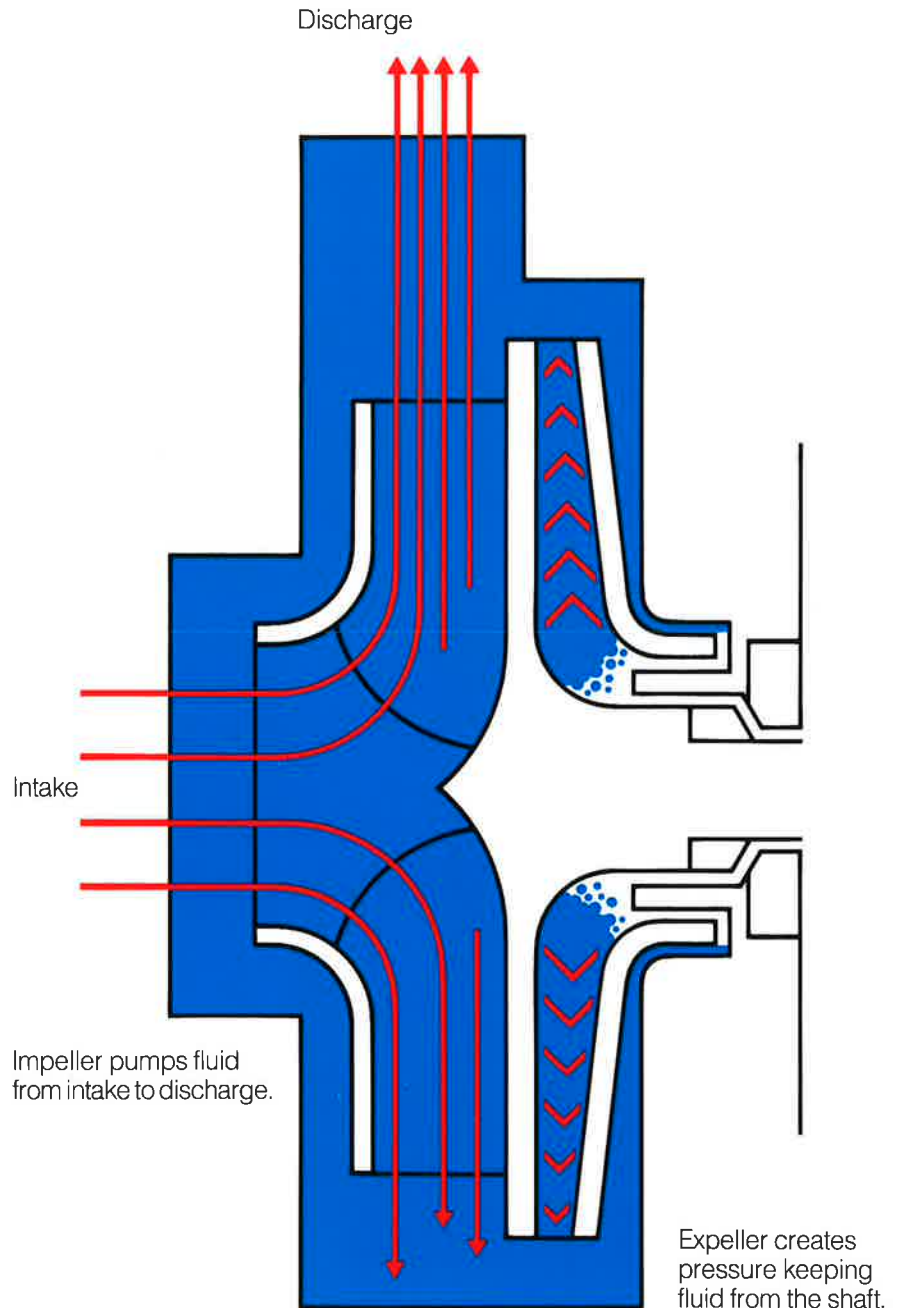
Many non-metallic materials are available in Wilfley Model AF Pumps including Wilfley's proprietary material W-30 which is a modified phenol formaldehyde resin, W-35 which is a modified vinyl ester, W-50 which is a modified furfural ketone resin, and Tefzel_®.

Special Modifications

A. R. Wilfley & Sons is dedicated to providing pumps that utilize their full potential. Wilfley routinely accommodates customer requirements such as steam-jackets, special paint, flush ports, special drain plugs, and other modifications required to fit specific needs. Many applications require special motor and drive configurations, including sub bases and mounting brackets. Non-metallic sub bases are available. Wilfley engineers assist in any special configuration that the solution and process requires. Wilfley's famous high quality workmanship applies to all special modifications.

Product Line

Wilfley manufactures a wide range of centrifugal pumps for both the chemical processing and mining industries. Wilfley pumps are available to handle highly abrasive slurries containing large particles, as well as ANSI B73.1 pumps to handle corrosive materials. Wilfley's applications and sales engineering staff provides the most up to date information and technology on pumps and pump processes.



Wilfley AF Pumps

Rotary and stationary seal faces are open during operation and closed to prevent leakage when the pump is shut down. Parts tinted in blue move forward to open seal faces when the pump is started.

Shaft sleeves protect the shaft from liquid contact and provide a labyrinth centrifugal seal to prevent liquid from reaching the bearings.

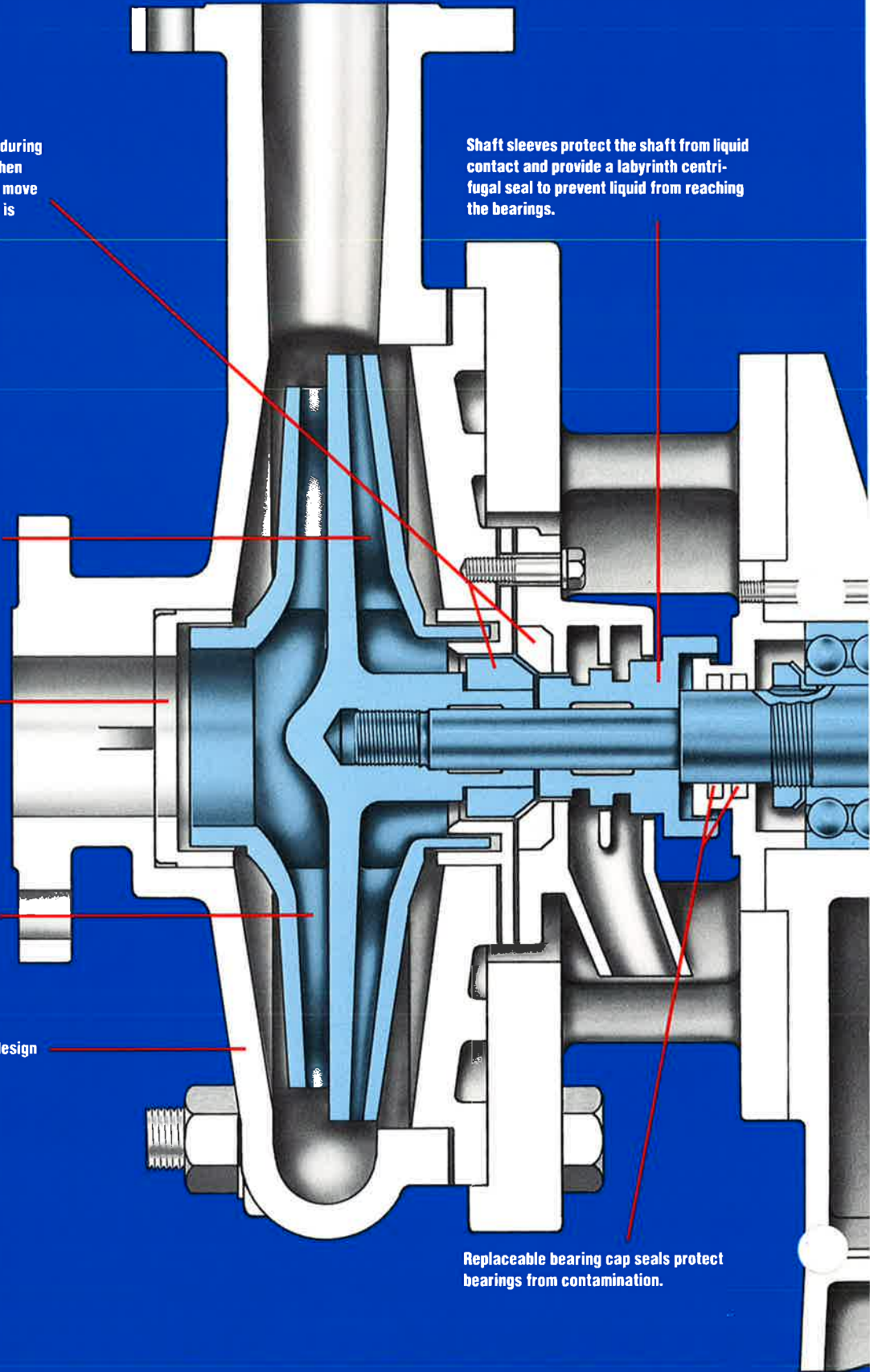
The integrated Wilfley expeller provides a positive hydraulic sealing arrangement eliminating packing, water glands, and mechanical seals.

The replaceable case wear ring protects the case from excessive wear and maintains efficiency.

Large impeller vanes provide highly efficient pumping with long wear life.

The extra case wall thickness and unique design extends wear life.

Replaceable bearing cap seals protect bearings from contamination.





Shafts are made of extra strength high quality steel.

Easily removable frame covers provide both a guard and an inspection opening.

The centrifugally operated governor provides smooth and efficient seal opening and closing. Assembly is totally enclosed to isolate all moving parts.

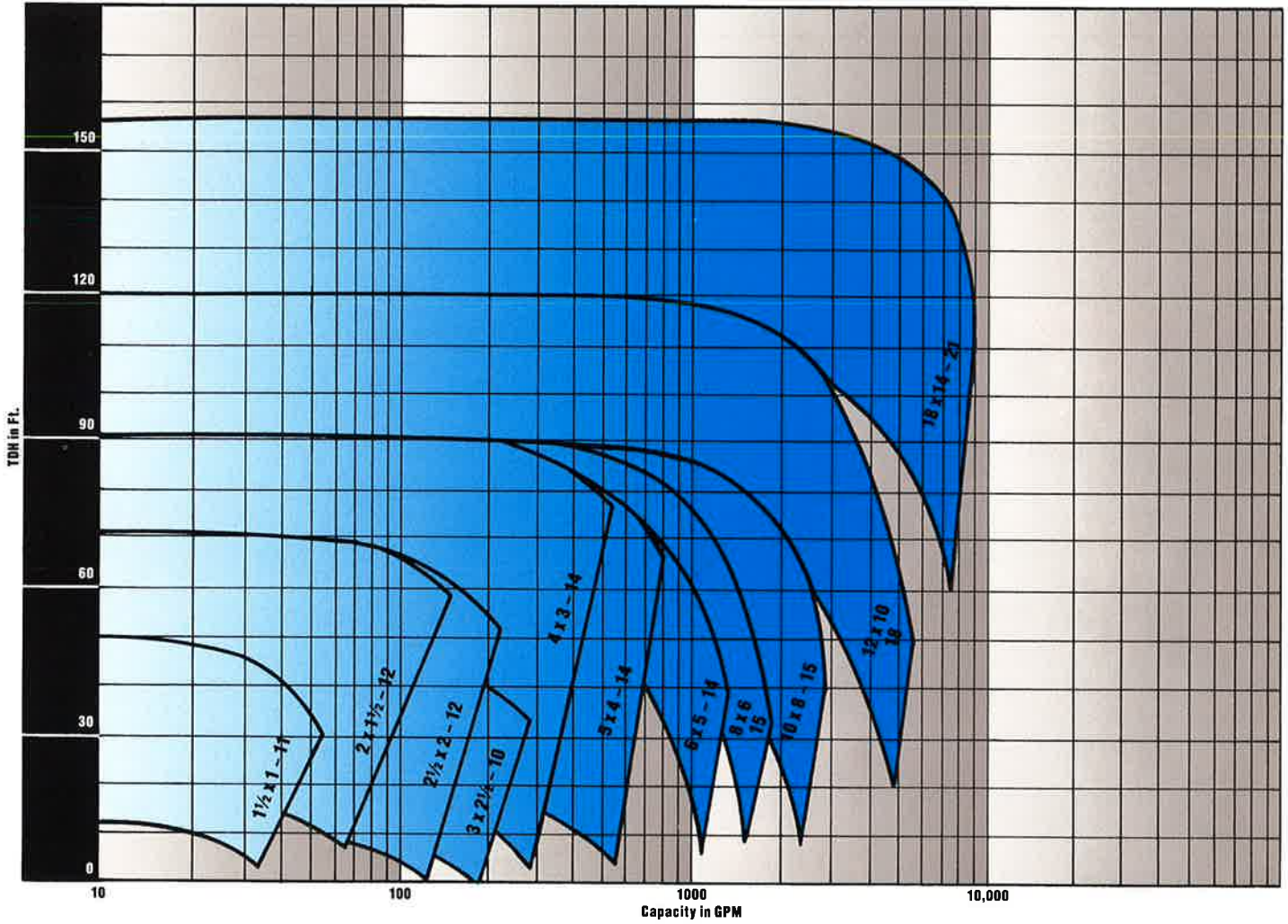
Extra large bearings provide a long durable life.

The sub base and frame are heavy cast iron and made to withstand stresses with heavy rib reinforcements. Non-metallic sub bases are available.

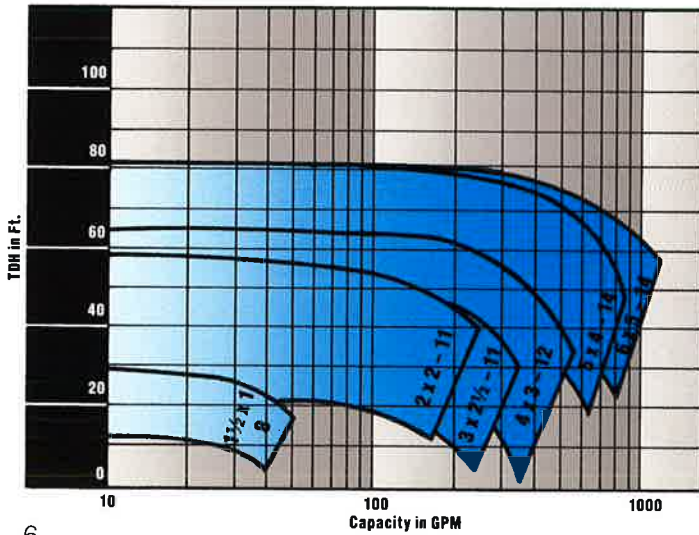
WILFLEY

AF Pump Capacities at 1150 RPM

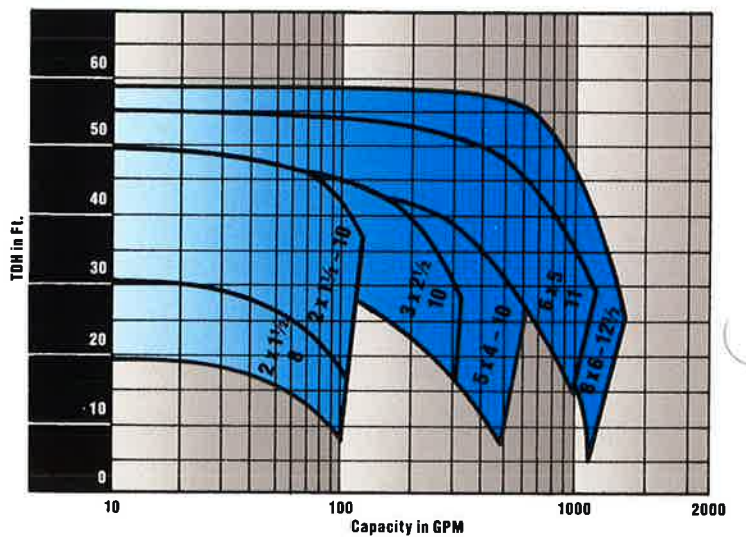
Closed Impeller



Semi-open Impeller

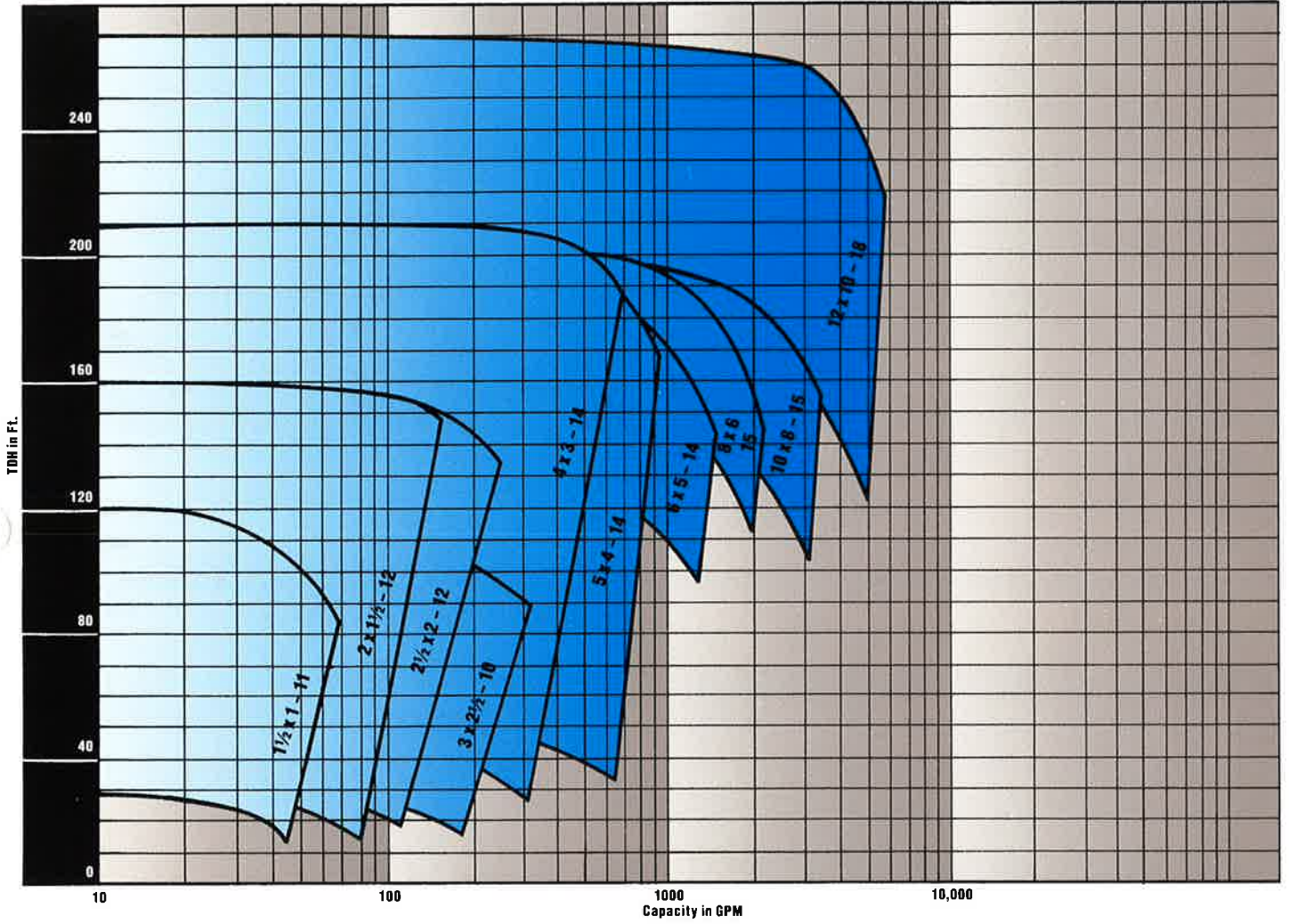


Non-metallic

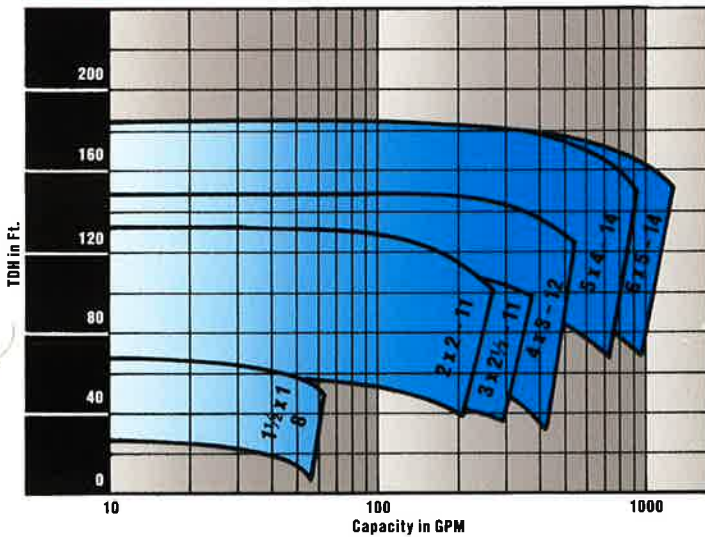


AF Pump Capacities at 1750 RPM

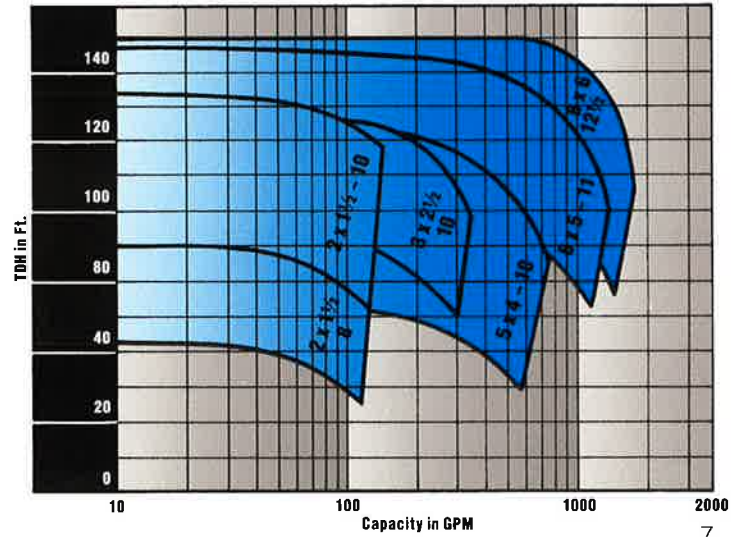
Closed Impeller



Semi-open Impeller

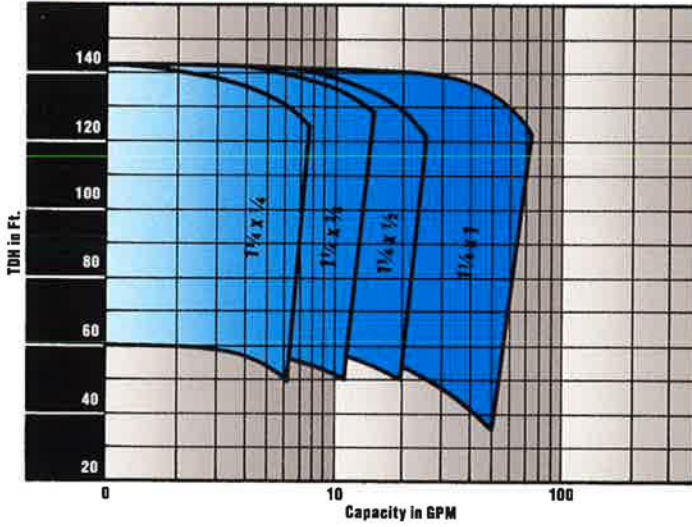


Non-metallic

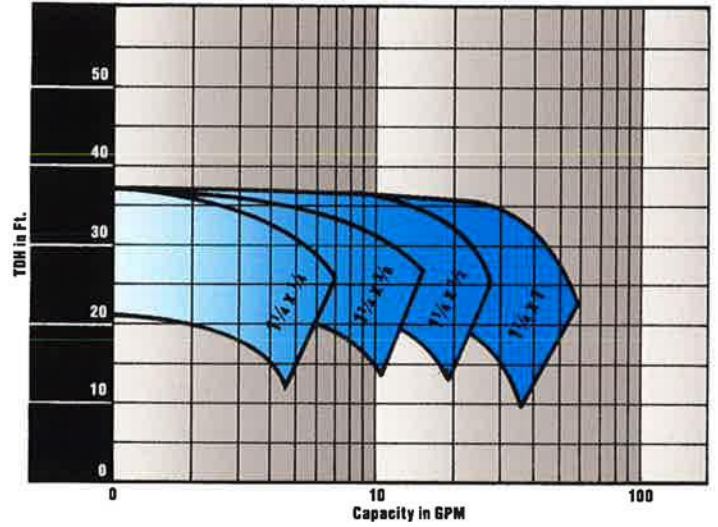


AF Pump Capacities Frame 0

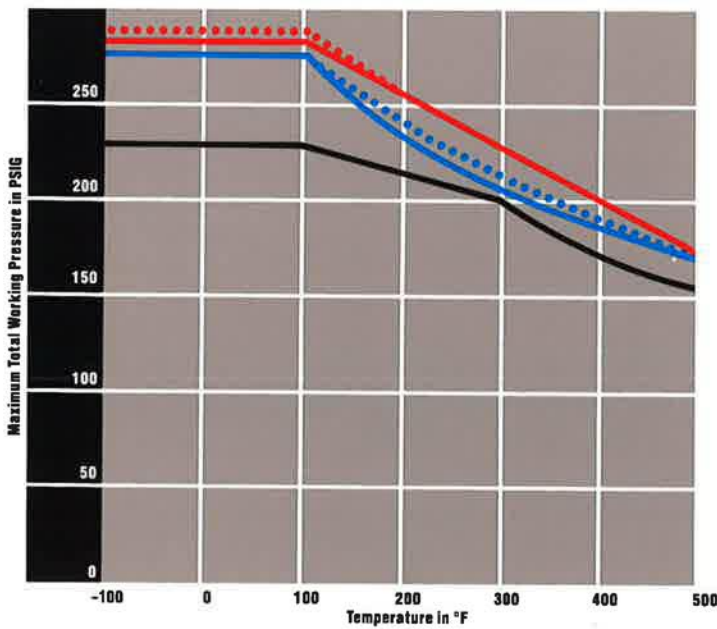
Closed Impeller, 3450 RPM



Closed Impeller, 1750 RPM



Pressure Temperature Ratings

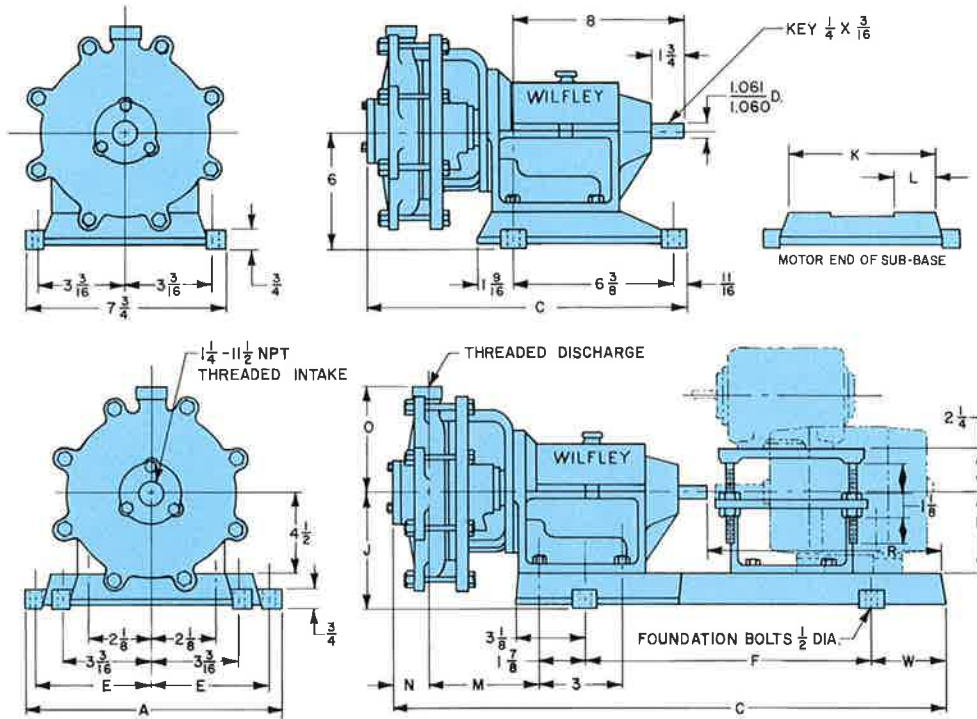


Pressure temperature ratings based on B16.5-1968

Used to show the maximum allowable discharge pressure for pumps with 150LB. flanges

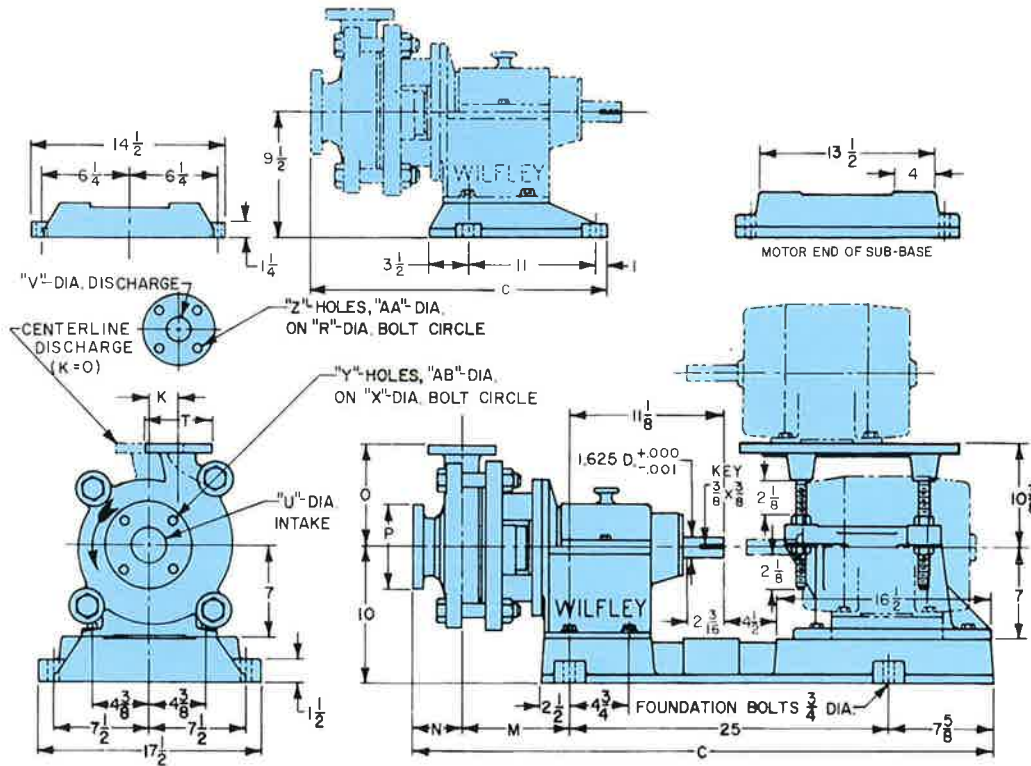
- ● ● ● ● ● ● ● CD-4MCU
- Steel and Ductile Iron
- ● ● ● ● ● ● ● 316 S/S
- 304 S/S
- A-20

Frame 0 Metal Wetted End



Threaded-Discharge	Side V-Belt Driven Style Pedestal 316-154 Assembly Number	C	Direct Driven Style-Small Sub-Base 318-138 Assembly Number	C	Direct Driven Style-Large Sub-Base 318-240 Assembly Number	C	Overhead V-Belt Driven Style Sub-Base 318-138 Assembly Number	C	A	E	F	H	J	K	L	M	N	O	R	W
1/4-18 NPT	318-158 BD	13 ^{57/64}	318-158 DCS	26 ^{45/64}			318-158 OV	26 ^{45/64}	11 ^{3/8}	5	14 ^{1/2}	4 ^{1/2}	6	8 ^{7/8}	3 ^{3/16}	5 ^{1/16}	1 ^{49/64}	5	11 ^{3/4}	3 ^{1/2}
1/4-18 NPT					318-158 DCL	30 ^{21/64}			13	5 ^{13/16}	17 ^{1/4}	5 ^{1/4}	7	10 ^{1/2}	2	5 ^{1/16}	1 ^{49/64}	5	15 ^{3/8}	4 ^{3/8}
3/8-18 NPT	318-160 BD	13 ^{57/64}	318-160 DCS	26 ^{45/64}			318-160 OV	26 ^{45/64}	11 ^{3/8}	5	14 ^{1/2}	4 ^{1/2}	6	8 ^{7/8}	3 ^{3/16}	5 ^{1/16}	1 ^{49/64}	5	11 ^{3/4}	3 ^{1/2}
3/8-18 NPT					318-160 DCL	30 ^{21/64}			13	5 ^{13/16}	17 ^{1/4}	5 ^{1/4}	7	10 ^{1/2}	2	5 ^{1/16}	1 ^{49/64}	5	15 ^{3/8}	4 ^{3/8}
1/2-14 NPT	318-162 BD	13 ^{57/64}	318-162 DCS	26 ^{45/64}			318-162 OV	26 ^{45/64}	11 ^{3/8}	5	14 ^{1/2}	4 ^{1/2}	6	8 ^{7/8}	3 ^{3/16}	5 ^{1/16}	1 ^{49/64}	5	11 ^{3/4}	3 ^{1/2}
1/2-14 NPT					318-162 DCL	30 ^{21/64}			13	5 ^{13/16}	17 ^{1/4}	5 ^{1/4}	7	10 ^{1/2}	2	5 ^{1/16}	1 ^{49/64}	5	15 ^{3/8}	4 ^{3/8}
3/4-14 NPT	318-164 BD	13 ^{57/64}	318-164 DCS	26 ^{45/64}			318-164 OV	26 ^{45/64}	11 ^{3/8}	5	14 ^{1/2}	4 ^{1/2}	6	8 ^{7/8}	3 ^{3/16}	5 ^{13/64}	1 ^{5/8}	5 ^{3/4}	11 ^{3/4}	3 ^{1/2}
3/4-14 NPT					318-164 DCL	30 ^{21/64}			13	5 ^{13/16}	17 ^{1/4}	5 ^{1/4}	7	10 ^{1/2}	2	5 ^{13/64}	1 ^{5/8}	5 ^{3/4}	15 ^{3/8}	4 ^{3/8}
1-11 ^{1/2} NPT	318-166 BD	13 ^{57/64}	318-166 DCS	26 ^{45/64}			318-166 OV	26 ^{45/64}	11 ^{3/8}	5	14 ^{1/2}	4 ^{1/2}	6	8 ^{7/8}	3 ^{3/16}	5 ^{13/64}	1 ^{5/8}	5 ^{3/4}	11 ^{3/4}	3 ^{1/2}
1-11 ^{1/2} NPT					318-166 DCL	30 ^{21/64}			13	5 ^{13/16}	17 ^{1/4}	5 ^{1/4}	7	10 ^{1/2}	2	5 ^{13/64}	1 ^{5/8}	5 ^{3/4}	15 ^{3/8}	4 ^{3/8}

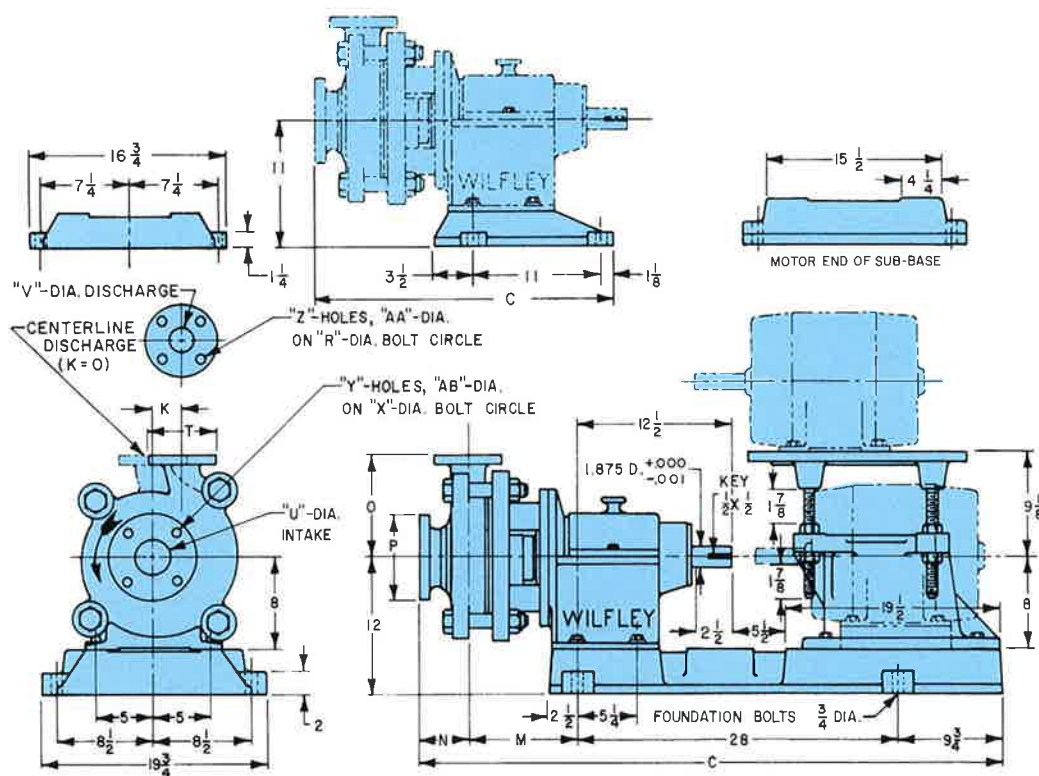
Frame 1 Metal Wetted End



Impeller Number	Maximum Diameters	Side V-Belt Driven Style		Direct Driven Style		Overhead V-Belt Driven Style		K	M	N	O	P	R	T	U	V	X	Y	Z	AA	AB
		Assembly Number	C	Assembly Number	C	Assembly Number	C														
225-8	8 x 9	318-63 BD	25 ⁹ / ₁₆	318-63 DC	46 ³ / ₈	318-63 OV	46 ³ / ₈	5	9	4 ³ / ₄	7	6	3 ⁷ / ₈	5	2	1 ¹ / ₂	4 ³ / ₄	4	4	5 ⁵ / ₈	3 ¹ / ₄
225-37	10 x 11	318-65 BD	25 ⁹ / ₁₆	318-65 DC	46 ³ / ₁₆	318-65 OV	46 ³ / ₁₆	6 ¹ / ₄	9 ³ / ₁₆	4 ³ / ₈	8	6	3 ⁷ / ₈	5	2	1 ¹ / ₂	4 ³ / ₄	4	4	5 ⁵ / ₈	3 ¹ / ₄
225-43	11 x 12	318-67 BD	26 ¹ / ₄	318-67 DC	46 ⁷ / ₈	318-67 OV	46 ⁷ / ₈	6 ³ / ₄	9 ¹ / ₂	4 ³ / ₄	9 ¹ / ₂	6	3 ⁷ / ₈	5	2	1 ¹ / ₂	4 ³ / ₄	4	4	5 ⁵ / ₈	3 ¹ / ₄
225-43	11 x 12	318-104 BD	26 ⁵ / ₁₆	318-104 DC	46 ¹⁵ / ₁₆	318-104 OV	46 ¹⁵ / ₁₆	0	9 ⁷ / ₁₆	4 ⁷ / ₈	11 ¹ / ₂	7	4 ³ / ₄	6	2 ¹ / ₂	2	5 ¹ / ₂	4	4	3 ¹ / ₄	3 ¹ / ₄
225-54	7 x 8	318-318 BD	26 ¹ / ₈	318-318 DC	46 ³ / ₄	318-318 OV	46 ³ / ₄	5 ³ / ₁₆	9 ¹ / ₄	4 ⁷ / ₈	7	7	4 ³ / ₄	6	2 ¹ / ₂	2	5 ¹ / ₂	4	4	3 ¹ / ₄	3 ¹ / ₄
225-59	7 x 8	318-69 BD	25 ³ / ₈	318-69 DC	46	318-69 OV	46	5 ¹ / ₂	9 ⁷ / ₁₆	3 ⁵ / ₁₆	7	7 ¹ / ₂	5 ¹ / ₂	7	3	2 ¹ / ₂	6	4	4	3 ¹ / ₄	3 ¹ / ₄
225-69	10 x 11	318-71 BD	25 ⁵ / ₈	318-71 DC	46 ¹ / ₄	318-71 OV	46 ¹ / ₄	6 ⁵ / ₈	9 ¹ / ₈	4 ¹ / ₂	7 ⁷ / ₈	6	4 ³ / ₄	6	2	2	4 ³ / ₄	4	4	3 ¹ / ₄	3 ¹ / ₄
225-76	9 x 10	318-73 BD	25 ¹⁵ / ₁₆	318-73 DC	46 ⁹ / ₁₆	318-73 OV	46 ⁹ / ₁₆	5 ³ / ₄	9 ⁷ / ₁₆	4 ¹ / ₂	8	7	4 ³ / ₄	6	2 ¹ / ₂	2	5 ¹ / ₂	4	4	3 ¹ / ₄	3 ¹ / ₄
225-88	9 x 10	318-75 BD	25 ⁹ / ₁₆	318-75 DC	46 ³ / ₁₆	318-75 OV	46 ³ / ₁₆	5 ¹ / ₄	8 ¹³ / ₁₆	4 ³ / ₄	8	5	3 ¹ / ₈	4 ¹ / ₄	1 ¹ / ₂	1	3 ⁷ / ₈	4	4	5 ⁵ / ₈	5 ⁵ / ₈
225-133	7 x 8	318-79 BD	25 ¹ / ₄	318-79 DC	45 ⁷ / ₈	318-79 OV	45 ⁷ / ₈	4 ³ / ₈	8 ¹ / ₁₆	4 ⁹ / ₁₆	6 ⁵ / ₈	5	3 ¹ / ₈	4 ¹ / ₄	1 ¹ / ₂	1	3 ⁷ / ₈	4	4	5 ⁵ / ₈	5 ⁵ / ₈
225-286	10 x 11	318-83 BD	25 ⁷ / ₈	318-83 DC	46 ¹ / ₂	318-83 OV	46 ¹ / ₂	6 ¹ / ₄	9 ⁵ / ₁₆	4 ⁹ / ₁₆	9	7	4 ³ / ₄	6	2 ¹ / ₂	2	5 ¹ / ₂	4	4	3 ¹ / ₄	3 ¹ / ₄
225-350	10 x 11	318-371 BD	25 ³ / ₈	318-371 DC	46	318-371 OV	46	6 ⁵ / ₈	9 ¹ / ₄	4 ¹ / ₈	9	7 ¹ / ₂	5 ¹ / ₂	7	3	2 ¹ / ₂	6	4	4	3 ¹ / ₄	3 ¹ / ₄
225-356	9 x 10	318-85 BD	25 ³ / ₈	318-85 DC	46	318-85 OV	46	6 ¹ / ₈	9 ¹ / ₄	4 ¹ / ₈	8 ¹ / ₂	7 ¹ / ₂	5 ¹ / ₂	7	3	2 ¹ / ₂	6	4	4	3 ¹ / ₄	3 ¹ / ₄
225-393	12 x 13	318-87 BD	26 ¹ / ₄	318-87 DC	46 ⁷ / ₈	318-87 OV	46 ⁷ / ₈	6 ³ / ₄	9 ¹ / ₂	4 ³ / ₄	10	6	3 ⁷ / ₈	5	2	1 ¹ / ₂	4 ³ / ₄	4	4	5 ⁵ / ₈	3 ¹ / ₄
225-393	12 x 13	318-358 BD	26 ¹ / ₄	318-358 DC	46 ⁷ / ₈	318-358 OV	46 ⁷ / ₈	7	9 ³ / ₈	4 ⁷ / ₈	10	7	4 ³ / ₄	6	2 ¹ / ₂	2	5 ¹ / ₂	4	4	3 ¹ / ₄	3 ¹ / ₄
225-629	8 x 9	318-326 BD	25 ⁵ / ₈	318-326 DC	46 ¹ / ₄	318-326 OV	46 ¹ / ₄	0	8 ⁷ / ₈	4 ³ / ₄	8	5	3 ¹ / ₈	4 ¹ / ₄	1 ¹ / ₂	1	3 ⁷ / ₈	4	4	5 ⁵ / ₈	5 ⁵ / ₈
225-937	11 x 12	318-528 BD	26 ¹ / ₄	318-528 DC	46 ⁷ / ₈	318-528 OV	46 ⁷ / ₈	3 ³ / ₄	9 ¹ / ₂	4 ³ / ₄	9 ¹ / ₂	6	4 ³ / ₄	6	2	2	4 ³ / ₄	4	4	3 ¹ / ₄	3 ¹ / ₄
225-937	11 x 12	318-545 BD	26 ¹ / ₄	318-545 DC	46 ⁷ / ₈	318-545 OV	46 ⁷ / ₈	0	9 ¹ / ₄	5	10 ⁵ / ₈	7 ¹ / ₂	5 ¹ / ₂	7	3	2 ¹ / ₂	6	4	4	3 ¹ / ₄	3 ¹ / ₄
225-962	8 x 9	318-501 BD	23 ¹³ / ₁₆	318-501 DC	44 ⁷ / ₁₆	318-501 OV	44 ⁷ / ₁₆	0	8 ⁵ / ₈	3 ³ / ₁₆	7 ⁵ / ₈	5	3 ¹ / ₈	4 ¹ / ₄	1 ¹ / ₂	1	3 ⁷ / ₈	4	4	5 ⁵ / ₈	5 ⁵ / ₈
228-1153	11 x 12	318-599 BD	26	318-599 DC	46 ³ / ₈	318-599 OV	46 ³ / ₈	0	9 ¹ / ₂	4 ¹ / ₂	10 ³ / ₄	5	3 ¹ / ₈	4 ¹ / ₄	1 ¹ / ₂	1	3 ⁷ / ₈	4	4	5 ⁵ / ₈	5 ⁵ / ₈

All Dimensions Are in Inches
All Flanges Are 125 Lb. American Standard Cast Iron (Same as 150 Lb. American Standard Steel)

Frame 2 Metal Wetted End

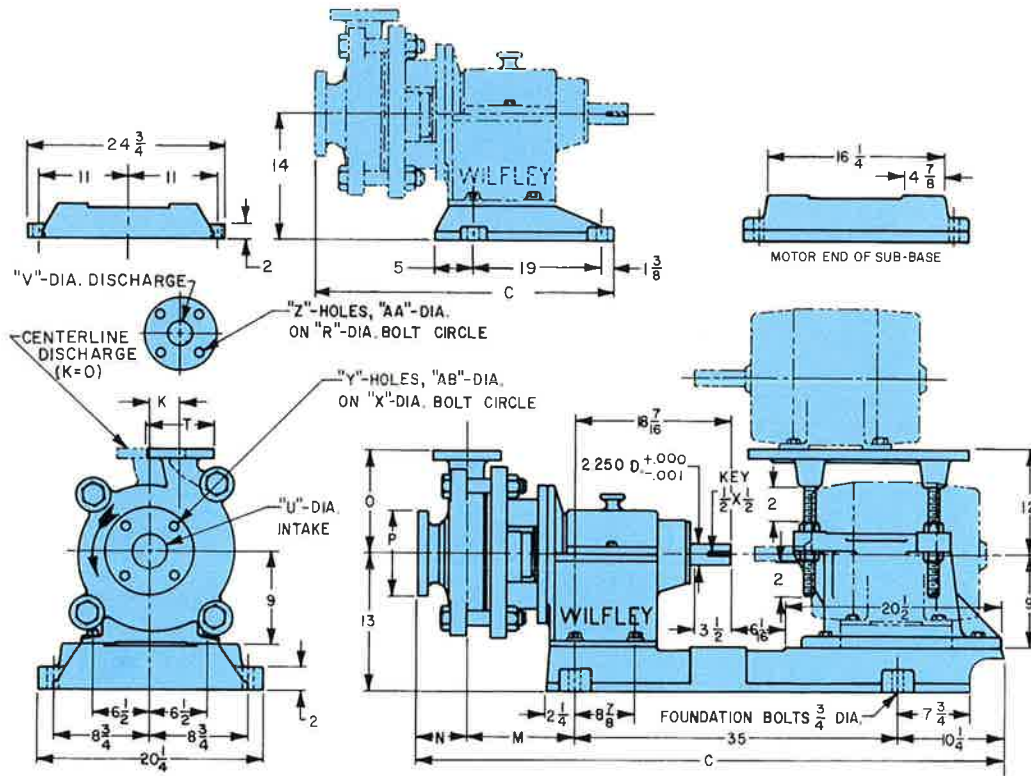


Impeller Number	Maximum Diameters	Side V-Belt Driven Style Assembly Number	C	Direct Driven Style Assembly Number	C	Overhead V-Belt Driven Style Assembly Number	C	K	M	N	O	P	R	T	U	V	X	Y	Z	AA	BB
225-8	8 x 9	318-89 BD	26 ¹ / ₈	318-89 DC	51 ³ / ₄	318-89 OV	51 ³ / ₄	5	9 ¹ / ₄	4 ³ / ₄	7	6	3 ⁷ / ₈	5	2	1 ¹ / ₂	4 ³ / ₄	4	4	5 ⁵ / ₈	3 ³ / ₄
225-37	10 x 11	318-91 BD	25 ⁵ / ₁₆	318-91 DC	51 ⁹ / ₁₆	318-91 OV	51 ⁹ / ₁₆	6 ¹ / ₄	9 ⁷ / ₁₆	4 ³ / ₈	8	6	3 ⁷ / ₈	5	2	1 ¹ / ₂	4 ³ / ₄	4	4	5 ⁵ / ₈	3 ³ / ₄
225-43	11 x 12	318-93 BD	26 ⁵ / ₈	318-93 DC	52 ¹ / ₄	318-93 OV	52 ¹ / ₄	6 ³ / ₄	9 ³ / ₄	4 ³ / ₄	9 ¹ / ₂	6	3 ⁷ / ₈	5	2	1 ¹ / ₂	4 ³ / ₄	4	4	5 ⁵ / ₈	3 ³ / ₄
225-43	11 x 12	318-92 BD	26 ¹ / ₁₆	318-92 DC	52 ⁵ / ₁₆	318-92 OV	52 ⁵ / ₁₆	0	9 ¹ / ₁₆	4 ⁷ / ₈	11 ¹ / ₂	7	4 ³ / ₄	6	2 ¹ / ₂	2	5 ¹ / ₂	4	4	3 ³ / ₄	3 ³ / ₄
225-54	7 x 8	318-303 BD	26 ¹ / ₂	318-303 DC	52 ¹ / ₈	318-303 OV	52 ¹ / ₈	5 ³ / ₁₆	9 ¹ / ₂	4 ⁷ / ₈	7	7	4 ³ / ₄	6	2 ¹ / ₂	2	5 ¹ / ₂	4	4	3 ³ / ₄	3 ³ / ₄
225-59	7 x 8	318-95 BD	25 ³ / ₄	318-95 DC	51 ³ / ₈	318-95 OV	51 ³ / ₈	5 ¹ / ₂	9 ¹ / ₁₆	3 ⁵ / ₁₆	7	7 ¹ / ₂	5 ¹ / ₂	7	3	2 ¹ / ₂	6	4	4	3 ³ / ₄	3 ³ / ₄
225-69	10 x 11	318-97 BD	26	318-97 DC	51 ⁵ / ₈	318-97 OV	51 ⁵ / ₈	6 ⁵ / ₈	9 ³ / ₈	4 ¹ / ₂	7 ⁷ / ₈	6	4 ³ / ₄	6	2	2	4 ³ / ₄	4	4	3 ³ / ₄	3 ³ / ₄
225-76	9 x 10	318-99 BD	26 ⁵ / ₁₆	318-99 DC	51 ⁵ / ₁₆	318-99 OV	51 ⁵ / ₁₆	5 ³ / ₄	9 ¹ / ₁₆	4 ¹ / ₂	8	7	4 ³ / ₄	6	2 ¹ / ₂	2	5 ¹ / ₂	4	4	3 ³ / ₄	3 ³ / ₄
225-88	9 x 10	318-101 BD	25 ⁵ / ₁₆	318-101 DC	51 ⁹ / ₁₆	318-101 OV	51 ⁹ / ₁₆	5 ¹ / ₄	9 ¹ / ₁₆	4 ³ / ₄	8	5	3 ¹ / ₈	4 ¹ / ₄	1 ¹ / ₂	1	3 ⁷ / ₈	4	4	5 ⁵ / ₈	5 ⁵ / ₈
225-133	7 x 8	318-105 BD	25 ⁵ / ₈	318-105 DC	51 ¹ / ₄	318-105 OV	51 ¹ / ₄	4 ³ / ₈	8 ¹ / ₁₆	4 ³ / ₁₆	6 ⁵ / ₈	5	3 ¹ / ₈	4 ¹ / ₄	1 ¹ / ₂	1	3 ⁷ / ₈	4	4	5 ⁵ / ₈	5 ⁵ / ₈
225-188	7 x 8	318-376 BD	25 ³ / ₈	318-376 DC	51	318-376 OV	51	4 ⁷ / ₈	9 ¹ / ₄	4	7 ³ / ₄	7 ¹ / ₂	4 ³ / ₄	6	3	2	6	4	4	3 ³ / ₄	3 ³ / ₄
225-286	10 x 11	318-109 BD	26 ¹ / ₄	318-109 DC	51 ⁷ / ₈	318-109 OV	51 ⁷ / ₈	6 ¹ / ₄	9 ⁹ / ₁₆	4 ³ / ₁₆	9	7	4 ³ / ₄	6	2 ¹ / ₂	2	5 ¹ / ₂	4	4	3 ³ / ₄	3 ³ / ₄
225-350	10 x 11	318-234 BD	25 ³ / ₄	318-234 DC	51 ³ / ₈	318-234 OV	51 ³ / ₈	6 ⁵ / ₈	9 ¹ / ₂	4 ¹ / ₈	9	7 ¹ / ₂	5 ¹ / ₂	7	3	2 ¹ / ₂	6	4	4	3 ³ / ₄	3 ³ / ₄
225-356	9 x 10	318-111 BD	25 ³ / ₄	318-111 DC	51 ³ / ₈	318-111 OV	51 ³ / ₈	6 ¹ / ₈	9 ¹ / ₂	4 ¹ / ₈	8 ¹ / ₂	7 ¹ / ₂	5 ¹ / ₂	7	3	2 ¹ / ₂	6	4	4	3 ³ / ₄	3 ³ / ₄
225-393	12 x 13	318-113 BD	26 ⁵ / ₈	318-113 DC	52 ¹ / ₄	318-113 OV	52 ¹ / ₄	6 ³ / ₄	9 ³ / ₄	4 ³ / ₄	10	6	3 ⁷ / ₈	5	2	1 ¹ / ₂	4 ³ / ₄	4	4	5 ⁵ / ₈	3 ³ / ₄
225-393	12 x 13	318-357 BD	26 ⁵ / ₈	318-357 DC	52 ¹ / ₄	318-357 OV	52 ¹ / ₄	7	9 ⁵ / ₈	4 ⁷ / ₈	10	7	4 ³ / ₄	6	2 ¹ / ₂	2	5 ¹ / ₂	4	4	3 ³ / ₄	3 ³ / ₄
225-580	7 x 8	318-269 BD	25 ⁵ / ₁₆	318-269 DC	50 ⁵ / ₁₆	318-269 OV	50 ⁵ / ₁₆	4 ⁷ / ₈	9 ³ / ₁₆	4	6 ¹ / ₂	7	3 ⁷ / ₈	5	2	1 ¹ / ₂	5 ¹ / ₂	4	4	5 ⁵ / ₈	3 ³ / ₄
225-629	8 x 9	318-366 BD	26	318-366 DC	51 ⁵ / ₈	318-366 OV	51 ⁵ / ₈	0	9 ¹ / ₈	4 ³ / ₄	8	5	3 ¹ / ₈	4 ¹ / ₄	1 ¹ / ₂	1	3 ⁷ / ₈	4	4	5 ⁵ / ₈	5 ⁵ / ₈
225-934	9 ¹ / ₂ x 10	318-486 BD	26 ¹ / ₁₆	318-486 DC	51 ¹¹ / ₁₆	318-486 OV	51 ¹¹ / ₁₆	2 ¹ / ₂	9 ⁵ / ₈	4 ⁵ / ₁₆	9	7 ¹ / ₂	4 ³ / ₄	6	3	2	6	4	4	3 ³ / ₄	3 ³ / ₄
225-937	11 x 12	318-487 BD	26 ⁵ / ₈	318-487 DC	52 ¹ / ₄	318-487 OV	52 ¹ / ₄	3 ³ / ₄	9 ³ / ₄	4 ³ / ₄	9 ¹ / ₂	6	4 ³ / ₄	6	2	2	4 ³ / ₄	4	4	3 ³ / ₄	3 ³ / ₄
225-937	11 x 12	318-527 BD	26 ⁵ / ₈	318-527 DC	52 ¹ / ₄	318-527 OV	52 ¹ / ₄	0	9 ¹ / ₂	5	10 ⁵ / ₈	7 ¹ / ₂	5 ¹ / ₂	7	3	2 ¹ / ₂	6	4	4	3 ³ / ₄	3 ³ / ₄
225-962	8 x 9	318-546 BD	24 ³ / ₁₆	318-546 DC	49 ³ / ₁₆	318-546 OV	49 ³ / ₁₆	0	8 ⁷ / ₈	3 ³ / ₁₆	7 ⁷ / ₈	5	3 ¹ / ₈	4 ¹ / ₄	1 ⁵ / ₈	1 ¹ / ₁₆	3 ⁷ / ₈	4	4	5 ⁵ / ₈	5 ⁵ / ₈
228-1153	11 x 12	318-598 BD	26 ³ / ₈	318-598 DC	52	318-598 OV	52	0	9 ³ / ₄	4 ¹ / ₂	10 ³ / ₄	5	3 ¹ / ₈	4 ¹ / ₄	1 ¹ / ₂	1	3 ⁷ / ₈	4	4	5 ⁵ / ₈	5 ⁵ / ₈

All Dimensions Are in Inches

All Flanges Are 125 Lb. American Standard Cast Iron (Same as 150 Lb. American Standard Steel)

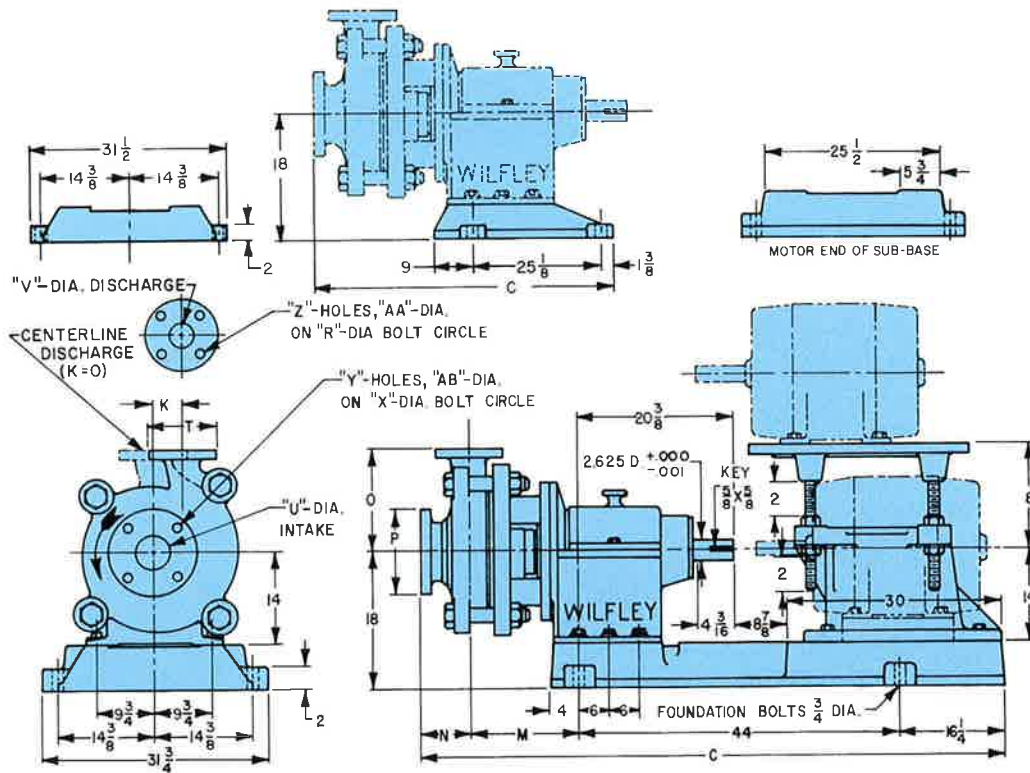
Frame 3 Metal Wetted End



Impeller Number	Maximum Diameters	Side V-Belt Driven Style		Direct Driven Style		Overhead V-Belt Driven Style		K	M	N	O	P	R	T	U	V	X	Y	Z	AA	AB
		Assembly Number	C	Assembly Number	C	Assembly Number	C														
226-51	14 x 15	318-313 BD	36 ¹ / ₁₆	318-313 DC	61 ⁹ / ₁₆	318-313 OV	61 ⁹ / ₁₆	9 ³ / ₄	11 ³ / ₁₆	5 ¹ / ₈	12 ¹ / ₂	11	8 ¹ / ₂	10	6	5	9 ¹ / ₂	8	8	7 ⁷ / ₈	7 ⁷ / ₈
226-72	12 x 13	318-388 BD	35 ³ / ₈	318-388 DC	60 ¹ / ₄	318-388 OV	60 ¹ / ₄	0	10	5	12 ¹ / ₂	9	6	7 ¹ / ₂	4	3	7 ¹ / ₂	8	4	3 ³ / ₄	3 ³ / ₄
225-161	8 x 9	318-115 BD	35 ¹ / ₂	318-115 DC	60 ³ / ₈	318-115 OV	60 ³ / ₈	6	10 ⁷ / ₁₆	4 ¹ / ₁₆	8 ¹ / ₂	9	6	7 ¹ / ₂	4	3	7 ¹ / ₂	8	4	3 ³ / ₄	3 ³ / ₄
225-209	14 x 15	318-333 BD	35 ¹⁵ / ₁₆	318-333 DC	60 ¹³ / ₁₆	318-333 OV	60 ¹³ / ₁₆	3 ¹ / ₂	10 ³ / ₄	4 ¹³ / ₁₆	13	9	6	7 ¹ / ₂	4	3	7 ¹ / ₂	8	4	3 ³ / ₄	3 ³ / ₄
226-248	12 x 15	318-245 BD	35 ⁷ / ₁₆	318-245 DC	60 ⁵ / ₁₆	318-245 OV	60 ⁵ / ₁₆	2 ¹ / ₂	10 ³ / ₄	4 ⁵ / ₁₆	15	10	7 ¹ / ₂	9	5	4	8 ¹ / ₂	8	8	3 ³ / ₄	7 ⁷ / ₈
225-258	9 x 10	318-119 BD	34 ⁷ / ₈	318-119 DC	59 ³ / ₄	318-119 OV	59 ³ / ₄	6 ¹ / ₂	10	4 ¹ / ₂	9 ¹ / ₂	9	6	7 ¹ / ₂	4	3	7 ¹ / ₂	8	4	3 ³ / ₄	3 ³ / ₄
225-339	10 x 11	318-129 BD	35	318-129 DC	59 ⁷ / ₈	318-129 OV	59 ⁷ / ₈	7	10 ¹ / ₄	4 ³ / ₈	9 ¹ / ₂	9	6	7 ¹ / ₂	4	3	7 ¹ / ₂	8	4	3 ³ / ₄	3 ³ / ₄
225-377	11 x 12	318-125 BD	35 ³ / ₄	318-125 DC	60 ⁵ / ₈	318-125 OV	60 ⁵ / ₈	8	10 ⁹ / ₁₆	4 ¹³ / ₁₆	9 ¹ / ₂	10	7 ¹ / ₂	9	5	4	8 ¹ / ₂	8	8	3 ³ / ₄	7 ⁷ / ₈
225-543	14 x 15	318-238 BD	36 ⁷ / ₈	318-238 DC	61 ³ / ₄	318-238 OV	61 ³ / ₄	9 ³ / ₄	11 ¹ / ₄	5 ¹ / ₄	12 ¹ / ₂	11	8 ¹ / ₂	10	6	5	9 ¹ / ₂	8	8	7 ⁷ / ₈	7 ⁷ / ₈
225-588	11 x 12	318-416 BD	35 ³ / ₈	318-416 DC	60 ¹ / ₄	318-416 OV	60 ¹ / ₄	7 ¹ / ₂	10 ⁵ / ₁₆	4 ¹ / ₁₆	10 ¹ / ₄	9	6	7 ¹ / ₂	4	3	7 ¹ / ₂	8	8	3 ³ / ₄	3 ³ / ₄
225-596	12 x 13	318-290 BD	35 ³ / ₈	318-290 DC	60 ¹ / ₄	318-290 OV	60 ¹ / ₄	0	10	5	12 ¹ / ₂	9	6	7 ¹ / ₂	4	3	7 ¹ / ₂	8	4	3 ³ / ₄	3 ³ / ₄
225-643A	12 x 13	318-311 BD	35 ³ / ₄	318-311 DC	60 ⁵ / ₈	318-311 OV	60 ⁵ / ₈	0	10 ³ / ₄	4 ⁵ / ₈	14	10	7 ¹ / ₂	9	5	4	8 ¹ / ₂	8	8	3 ³ / ₄	7 ⁷ / ₈
225-983	8 x 9	318-541 BD	35 ¹ / ₂	318-541 DC	60 ³ / ₈	318-541 OV	60 ³ / ₈	6	10 ⁷ / ₁₆	4 ¹ / ₁₆	8 ¹ / ₂	9	6	7 ¹ / ₂	4	3	7 ¹ / ₂	8	4	3 ³ / ₄	3 ³ / ₄
225-992	14 x 15	318-536 BD	36	318-536 DC	60 ⁷ / ₈	318-536 OV	60 ⁷ / ₈	2 ¹ / ₂	10 ³ / ₄	4 ⁷ / ₈	15	10	7 ¹ / ₂	9	5	4	8 ¹ / ₂	8	8	3 ³ / ₄	7 ⁷ / ₈
225-996	9 x 10	318-538 BD	35 ⁵ / ₈	318-538 DC	60 ¹ / ₂	318-538 OV	60 ¹ / ₂	7 ¹ / ₈	10 ⁵ / ₈	4 ⁵ / ₈	9 ¹ / ₂	10	7 ¹ / ₂	9	5	4	8 ¹ / ₂	8	8	3 ³ / ₄	7 ⁷ / ₈

All Dimensions Are in Inches
 All Flanges Are 125 Lb. American Standard Cast Iron (Same as 150 Lb. American Standard Steel)

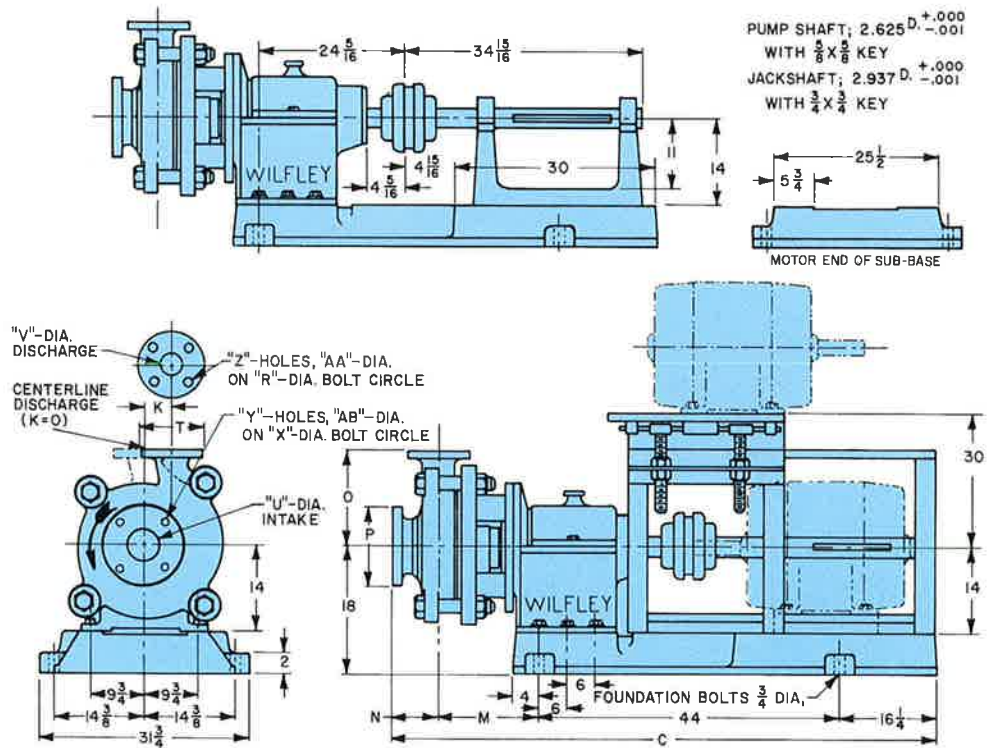
Frame 4 Metal Wetted End



Impeller Number	Maximum Diameters	Side V-Belt Driven Style		Direct Driven Style		Overhead V-Belt Driven Style		K	M	N	O	P	R	T	U	V	X	Y	Z	AA	AB
		Assembly Number	C	Assembly Number	C	Assembly Number	C														
226-51	14 x 15	318-312 BD	44 ⁵ / ₁₆	318-312 DC	78 ¹ / ₁₆	318-312 OV	78 ¹ / ₁₆	9 ³ / ₄	12 ¹¹ / ₁₆	5 ¹ / ₈	12 ¹ / ₂	11	8 ¹ / ₂	10	6	5	9 ¹ / ₂	8	8	7 ¹ / ₈	7 ¹ / ₈
225-209	14 ¹ / ₂ x 15	318-351 BD	43 ⁹ / ₁₆	318-351 DC	77 ⁵ / ₁₆	318-351 OV	77 ⁵ / ₁₆	3 ¹ / ₂	12 ¹ / ₄	4 ¹³ / ₁₆	13	9	6	7 ¹ / ₂	4	3	7 ¹ / ₂	8	4	3 ¹ / ₄	3 ¹ / ₄
226-248	13 x 15	318-266 BD	43 ¹ / ₁₆	318-266 DC	76 ¹³ / ₁₆	318-266 OV	76 ¹³ / ₁₆	2 ¹ / ₂	12 ¹ / ₄	4 ⁵ / ₁₆	15	10	7 ¹ / ₂	9	5	4	8 ¹ / ₂	8	8	3 ³ / ₄	7 ¹ / ₈
225-377	11 x 12	318-280 BD	43 ⁹ / ₁₆	318-280 DC	77 ¹ / ₈	318-280 OV	77 ¹ / ₈	8	12 ¹ / ₁₆	4 ¹³ / ₁₆	9 ¹ / ₂	10	7 ¹ / ₂	9	5	4	8 ¹ / ₂	8	8	3 ³ / ₄	7 ¹ / ₈
225-543	14 x 15	318-282 BD	44 ³ / ₈	318-282 DC	78 ¹ / ₈	318-282 OV	78 ¹ / ₈	9 ³ / ₄	12 ³ / ₄	5 ¹ / ₈	12 ¹ / ₂	11	8 ¹ / ₂	10	6	5	9 ¹ / ₂	8	8	7 ¹ / ₈	7 ¹ / ₈
225-548	15 x 16	318-305 BD	44 ¹⁵ / ₁₆	318-305 DC	78 ¹¹ / ₁₆	318-305 OV	78 ¹¹ / ₁₆	8 ⁵ / ₁₆	13 ⁵ / ₁₆	4 ¹³ / ₁₆	13 ³ / ₄	13 ¹ / ₂	9 ¹ / ₂	11	8	6	11 ³ / ₄	8	8	7 ¹ / ₈	7 ¹ / ₈
225-643A	12 x 13	318-393 BD	43 ³ / ₈	318-393 DC	77 ¹ / ₈	318-393 OV	77 ¹ / ₈	0	12 ¹ / ₄	4 ⁵ / ₈	14	10	7 ¹ / ₂	9	5	4	8 ¹ / ₂	8	8	3 ³ / ₄	7 ¹ / ₈
225-992	14 x 15	318-547 BD	43 ³ / ₈	318-547 DC	77 ³ / ₈	318-547 OV	77 ³ / ₈	2 ¹ / ₂	12 ¹ / ₄	4 ⁷ / ₈	15	10	7 ¹ / ₂	9	5	4	8 ¹ / ₂	8	8	3 ³ / ₄	7 ¹ / ₈
226-60	14 x 15	318-289 BD	44 ⁵ / ₁₆	318-289 DC	78 ¹ / ₁₆	318-289 OV	78 ¹ / ₁₆	9 ³ / ₄	12 ¹¹ / ₁₆	5 ¹ / ₈	12 ¹ / ₂	11	8 ¹ / ₂	10	6	5	9 ¹ / ₂	8	8	7 ¹ / ₈	7 ¹ / ₈
226-250	14 x 15	318-394 BD	43 ¹ / ₁₆	318-394 DC	76 ¹³ / ₁₆	318-394 OV	76 ¹³ / ₁₆	2 ¹ / ₂	12 ¹ / ₄	4 ⁵ / ₁₆	15	10	7 ¹ / ₂	9	5	4	8 ¹ / ₂	8	8	3 ³ / ₄	7 ¹ / ₈
228-664	15 x 16	318-213 BD	46 ¹ / ₂	318-213 DC	80 ¹ / ₄	318-213 OV	80 ¹ / ₄	6 ⁷ / ₈	13 ¹¹ / ₃₂	6 ²¹ / ₃₂	15	16	11 ³ / ₄	13 ¹ / ₂	10	8	14 ¹ / ₄	12	8	7 ¹ / ₈	1
225-1145	15 x 16	318-304 BD	44 ¹⁵ / ₁₆	318-304 DC	78 ¹¹ / ₁₆	318-304 OV	78 ¹¹ / ₁₆	8 ⁵ / ₁₆	13 ⁵ / ₁₆	4 ¹³ / ₁₆	13 ³ / ₄	13 ¹ / ₂	9 ¹ / ₂	11	8	6	11 ³ / ₄	8	8	7 ¹ / ₈	7 ¹ / ₈
225-1146	14 x 15	318-395 BD	44 ³ / ₈	318-395 DC	78 ¹ / ₈	318-395 OV	78 ¹ / ₈	9 ³ / ₄	12 ³ / ₄	5 ¹ / ₈	12 ¹ / ₂	11	8 ¹ / ₂	10	6	5	9 ¹ / ₂	8	8	7 ¹ / ₈	7 ¹ / ₈

All Dimensions Are in Inches
 All Flanges Are 125 Lb. American Standard Cast Iron (Same as 150 Lb. American Standard Steel)

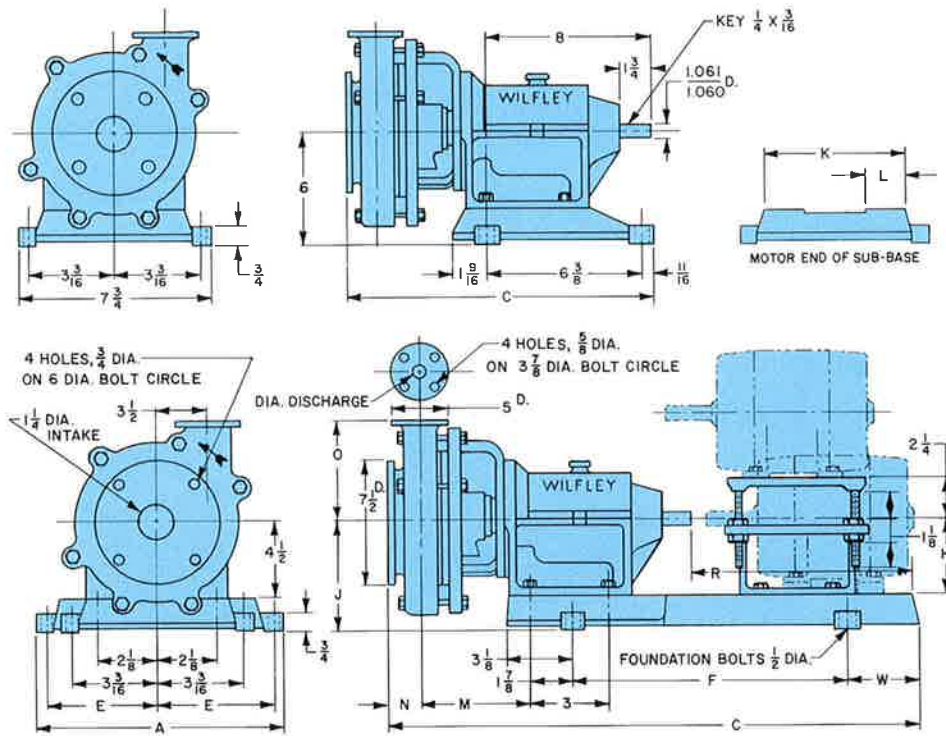
Frame 5 Metal Wetted End



Impeller Number	Maximum Diameters	Side V-Belt Driven Style		Direct Driven Style		Overhead V-Belt Driven Style		K	M	N	O	P	R	T	U	V	X	Y	Z	AA	AB
		Assembly Number	C	Assembly Number	C	Assembly Number	C														
225-540	15 x 16	318-232 BDJS	78 ¹¹ / ₁₆	318-232 DC	78 ¹¹ / ₁₆	318-232 OVJS	78 ¹¹ / ₁₆	8 ⁵ / ₈	13 ⁵ / ₈	4 ¹³ / ₁₆	13 ³ / ₄	13 ¹ / ₂	9 ¹ / ₂	11	8	6	11 ³ / ₄	8	8	7 ⁷ / ₈	7 ⁷ / ₈
225-543FS	14 x 15	318-248 BDJS	78 ¹ / ₄	318-248 DC	78 ¹ / ₄	318-248 OVJS	78 ¹ / ₄	9 ¹ / ₄	12 ³ / ₄	5 ¹ / ₄	12 ¹ / ₂	11	8 ¹ / ₂	10	6	5	9 ¹ / ₂	8	8	7 ⁷ / ₈	7 ⁷ / ₈
225-835	15 x 16	318-264 BDJS	80 ¹ / ₄	318-264 DC	80 ¹ / ₄	318-264 OVJS	80 ¹ / ₄	6 ⁷ / ₈	13 ¹¹ / ₃₂	6 ²¹ / ₃₂	15	16	11 ³ / ₄	13 ¹ / ₂	10	8	14 ¹ / ₄	12	8	7 ⁷ / ₈	1

Metal AL dimensional and technical information available through Wilfley Engineering
 75 HP and larger motors require jackshaft design. Please consult with Wilfley Engineering
 All Dimensions Are in Inches
 All Flanges Are 125 Lb. American Standard Cast Iron (Same as 150 Lb. American Standard Steel)

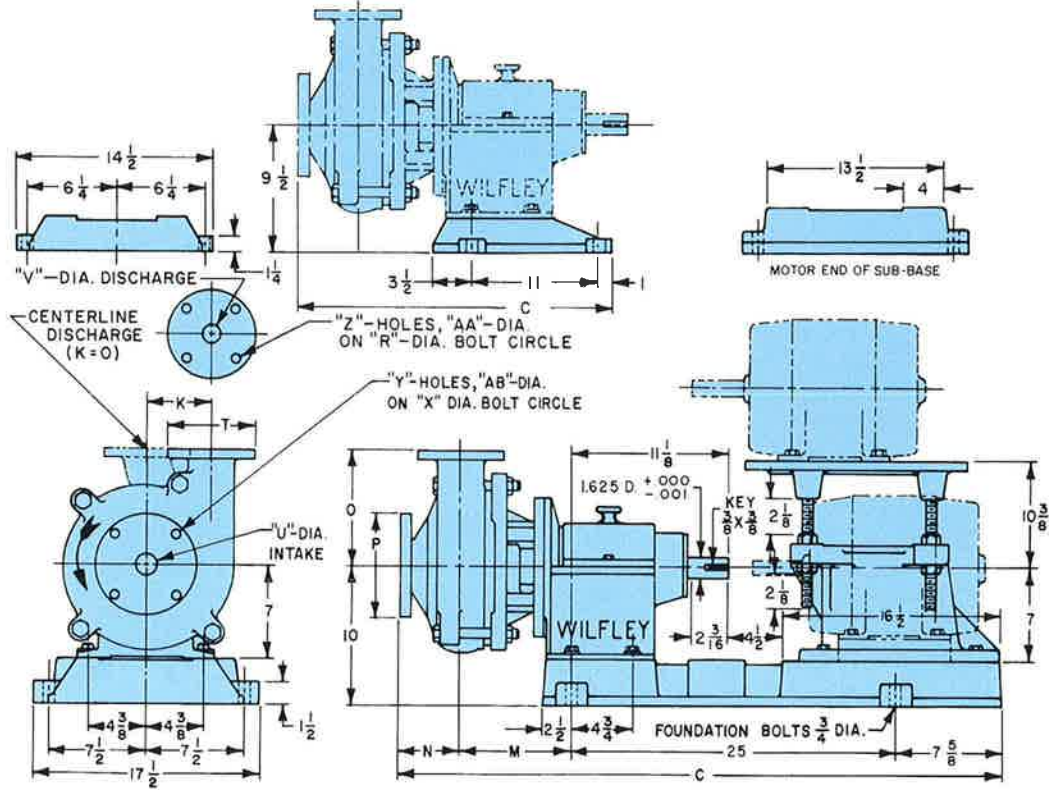
Frame 0 Non-metallic Wetted End



Discharge Diameter	Side V-Belt Driven Style Pedestal 316-154 Assembly Number		Direct Driven Style-Small Sub-Base 318-138 Assembly Number		Direct Driven Style-Large Sub-Base 318-240 Assembly Number		Overhead V-Belt Driven Style Sub-Base 318-138 Assembly Number		A	E	F	H	J	K	L	M	N	O	R	W
		C		C		C		C												
1/4	318-184 BD	15 ¹⁹ / ₁₆	318-184 DCS	28 ⁵ / ₈			318-184 OV	28 ⁵ / ₈	11 ³ / ₈	5	14 ¹ / ₂	4 ¹ / ₂	6	8 ⁷ / ₈	3 ³ / ₁₆	5 ¹⁹ / ₃₂	3 ⁵ / ₃₂	6 ³ / ₄	11 ³ / ₄	3 ¹ / ₂
1/4					318-184 DCL	32 ¹ / ₄			13	5 ¹³ / ₁₆	17 ¹ / ₄	5 ¹ / ₄	7	10 ¹ / ₂	2	5 ¹⁹ / ₃₂	3 ⁵ / ₃₂	6 ³ / ₄	15 ³ / ₈	4 ³ / ₈
3/8	318-188 BD	15 ¹⁹ / ₁₆	318-188 DCS	28 ⁵ / ₈			318-188 OV	28 ⁵ / ₈	11 ³ / ₈	5	14 ¹ / ₂	4 ¹ / ₂	6	8 ⁷ / ₈	3 ³ / ₁₆	5 ¹⁹ / ₃₂	3 ⁵ / ₃₂	6 ³ / ₄	11 ³ / ₄	3 ¹ / ₂
3/8					318-188 DCL	32 ¹ / ₄			13	5 ¹³ / ₁₆	17 ¹ / ₄	5 ¹ / ₄	7	10 ¹ / ₂	2	5 ¹⁹ / ₃₂	3 ⁵ / ₃₂	6 ³ / ₄	15 ³ / ₈	4 ³ / ₈
1/2	318-190 BD	15 ¹⁹ / ₁₆	318-190 DCS	28 ⁵ / ₈			318-190 OV	28 ⁵ / ₈	11 ³ / ₈	5	14 ¹ / ₂	4 ¹ / ₂	6	8 ⁷ / ₈	3 ³ / ₁₆	5 ¹⁹ / ₃₂	3 ⁵ / ₃₂	6 ³ / ₄	11 ³ / ₄	3 ¹ / ₂
1/2					318-190 DCL	32 ¹ / ₄			13	5 ¹³ / ₁₆	17 ¹ / ₄	5 ¹ / ₄	7	10 ¹ / ₂	2	5 ¹⁹ / ₃₂	3 ⁵ / ₃₂	6 ³ / ₄	15 ³ / ₈	4 ³ / ₈
1	318-192 BD	15 ¹⁹ / ₁₆	318-192 DCS	28 ⁵ / ₈			318-192 OV	28 ⁵ / ₈	11 ³ / ₈	5	14 ¹ / ₂	4 ¹ / ₂	6	8 ⁷ / ₈	3 ³ / ₁₆	5 ¹⁹ / ₃₂	3 ⁵ / ₃₂	6 ³ / ₄	11 ³ / ₄	3 ¹ / ₂
1					318-192 DCL	32 ¹ / ₄			13	5 ¹³ / ₁₆	17 ¹ / ₄	5 ¹ / ₄	7	10 ¹ / ₂	2	5 ¹⁹ / ₃₂	3 ⁵ / ₃₂	6 ³ / ₄	15 ³ / ₈	4 ³ / ₈

All Dimensions Are in Inches
All Flanges Are 125 Lb. American Standard Cast Iron (same as 150 Lb. American Standard Steel)

Frame 1 Non-metallic Wetted End

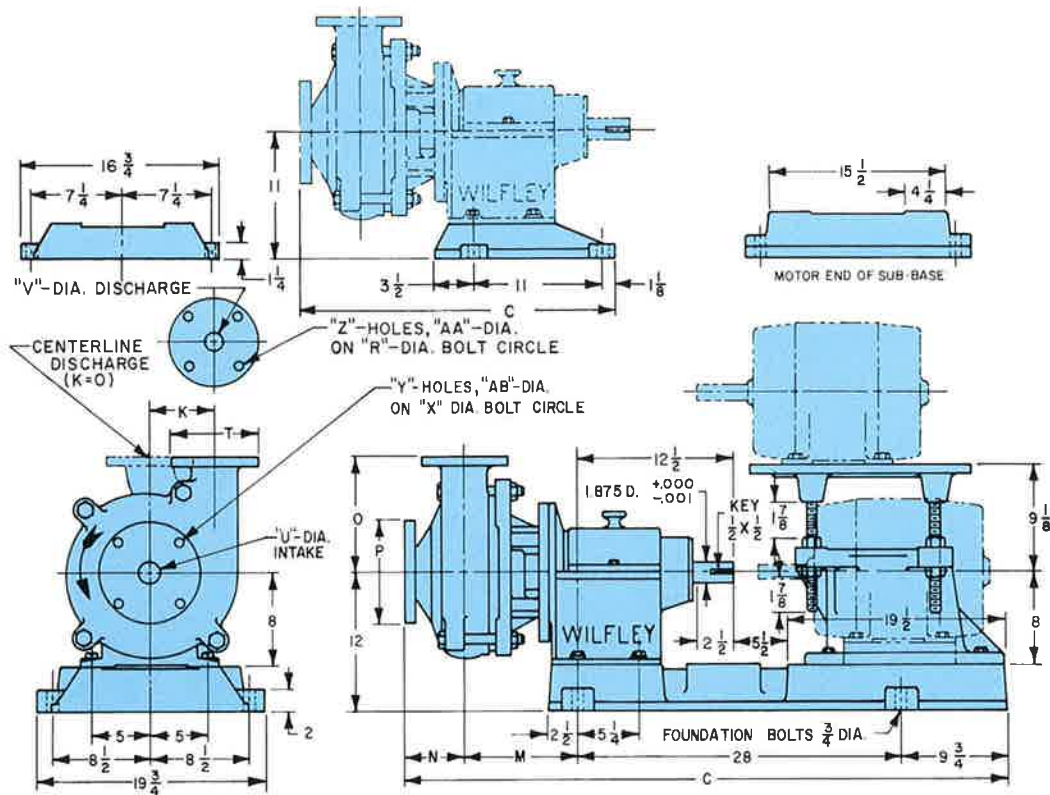


Impeller Number	Maximum Diameters	Side V-Belt Driven Style		Direct Driven Style		Overhead V-Belt Driven Style		K	M	N	O	P	R	T	U	V	X	Y	Z	AA	AB
		Assembly Number	C	Assembly Number	C	Assembly Number	C														
226-610	8 x 9	318-314 BD	27 ⁹ / ₈	318-314 DC	48 ¹ / ₂	318-314 OV	48 ¹ / ₂	0	9 ³ / ₄	6 ¹ / ₈	8	9	6	7 ¹ / ₂	2	1 ¹ / ₂	7 ¹ / ₂	8	4	3 ³ / ₄	3 ³ / ₄
228-1061	10 x 11	318-563 BD	27 ⁹ / ₈	318-563 DC	48	318-563 OV	48	0	9 ¹¹ / ₁₆	5 ¹¹ / ₁₆	10 ¹ / ₄	9	6	7 ¹ / ₂	3	2 ¹ / ₂	7 ¹ / ₂	8	4	3 ³ / ₄	3 ³ / ₄
228-1130	10 x 11	318-568 BD	26 ³ / ₄	318-568 DC	47 ⁹ / ₈	318-568 OV	47 ⁹ / ₈	0	9 ¹ / ₂	5 ¹ / ₄	10	9	6	7 ¹ / ₂	2	1 ¹ / ₂	7 ¹ / ₂	8	4	3 ³ / ₄	3 ³ / ₄

All Dimensions Are in Inches

All Flanges Are 125 Lb. American Standard Cast Iron (Same as 150 Lb. American Standard Steel)

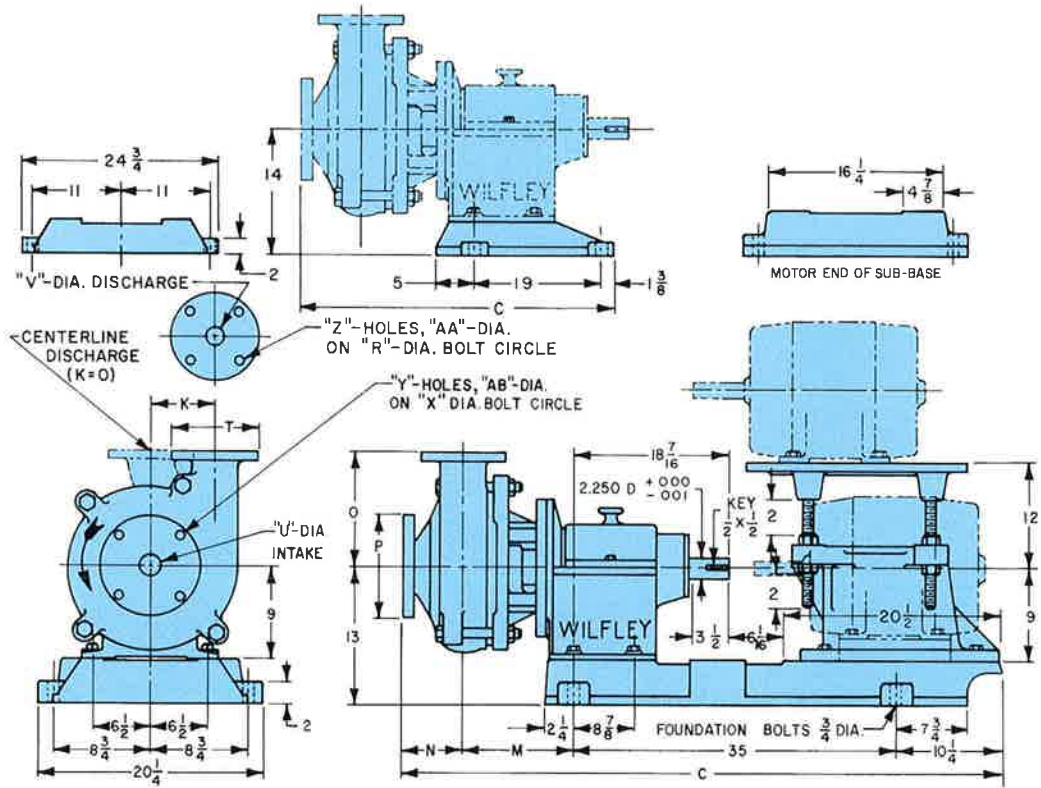
Frame 2 Non-metallic Wetted End



Impeller Number	Maximum Diameters	Side V-Belt Driven Style		Direct Driven Style		Overhead V-Belt Driven Style		K	M	N	O	P	R	T	U	V	X	Y	Z	AA	AB
		Assembly Number	C	Assembly Number	C	Assembly Number	C														
226-610	8 x 9	318-308 BD	28 1/4	318-308 DC	53 7/8	318-308 OV	53 7/8	0	10	6 1/8	8	9	6	7 1/2	2	1 1/2	7 1/2	8	4	3/4	3/4
228-1061	10 x 11	318-562 BD	27 3/4	318-562 DC	53 3/8	318-562 OV	53 3/8	0	9 5/16	5 1/16	10 1/4	9	6	7 1/2	3	2 1/2	7 1/2	8	4	3/4	3/4
228-1130	10 x 11	318-569 BD	27 1/8	318-569 DC	52 3/4	318-569 OV	52 3/4	0	9 3/4	5 1/4	10	9	6	7 1/2	2	1 1/2	7 1/2	8	4	3/4	3/4

All Dimensions Are in Inches
 All Flanges Are 125 Lb. American Standard Cast Iron (Same as 150 Lb. American Standard Steel)

Frame 3 Non-metallic Wetted End

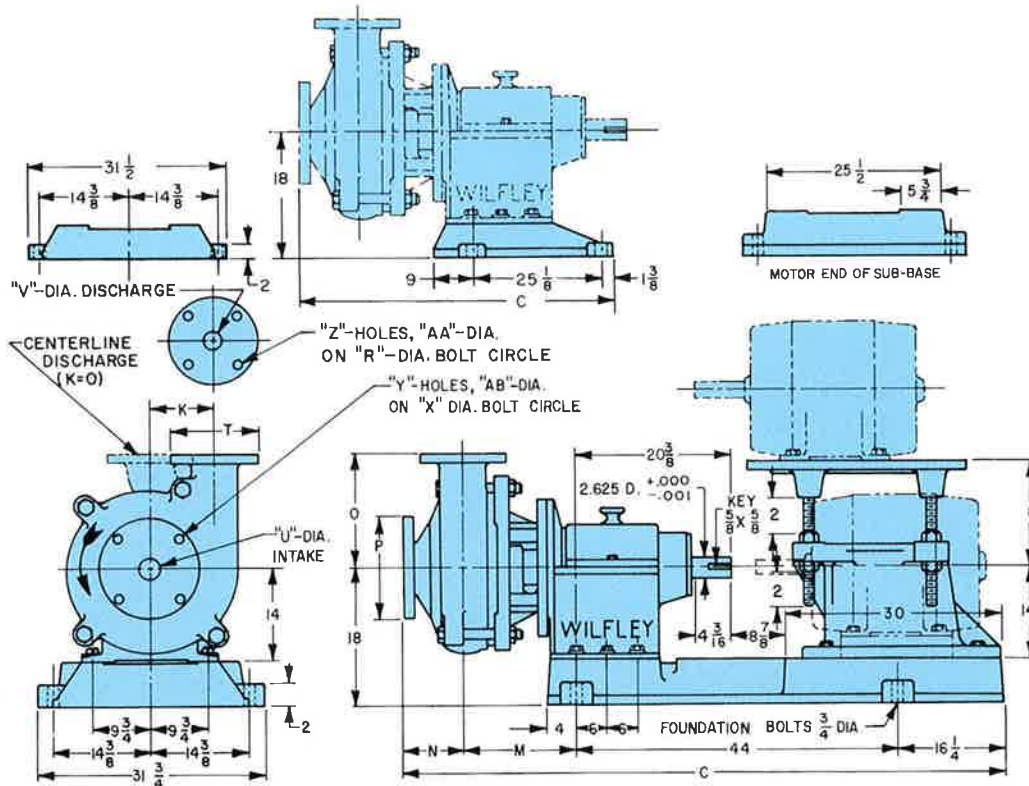


Impeller Number	Maximum Diameters	Side V-Belt Driven Style		Direct Driven Style		Overhead V-Belt Driven Style		K	M	N	O	P	R	T	U	V	X	Y	Z	AA	AB
		Assembly Number	C	Assembly Number	C	Assembly Number	C														
228-148	11 x 12	318-579 BD	38 ⁵ / ₁₆	318-579 DC	63 ³ / ₁₆	318-579 OV	63 ³ / ₁₆	0	10 ¹⁵ / ₁₆	7	15	13 ¹ / ₂	9 ¹ / ₂	11	6	5	11 ³ / ₄	8	8	7 ⁷ / ₈	7 ⁷ / ₈
228-973	10 x 11	318-522 BD	39	318-522 DC	63 ⁷ / ₈	318-522 OV	63 ⁷ / ₈	0	11 ⁵ / ₈	7	12	11	8 ¹ / ₂	10	5	4	9 ¹ / ₂	8	8	7 ⁷ / ₈	7 ⁷ / ₈

All Dimensions Are in Inches

All Flanges Are 125 Lb. American Standard Cast Iron (Same as 150 Lb. American Standard Steel)

Frame 4 Non-metallic Wetted End



Impeller Number	Maximum Diameters	Side V-Belt Driven Style		Direct Driven Style		Overhead V-Belt Driven Style		K	M	N	O	P	R	T	U	V	X	Y	Z	AA	AB
		Assembly Number	C	Assembly Number	C	Assembly Number	C														
228-148	11 x 12	318-78 BD	46	318-78 DC	$79\frac{9}{16}$	318-78 OV	$79\frac{9}{16}$	0	$12\frac{1}{2}$	7	15	$13\frac{1}{2}$	$9\frac{1}{2}$	11	6	5	$11\frac{3}{4}$	8	8	$\frac{7}{8}$	$\frac{7}{8}$
228-1054	$12\frac{1}{2}$ x 13	318-110 BD	$46\frac{15}{32}$	318-110 DC	$80\frac{7}{32}$	318-110 OV	$80\frac{7}{32}$	0	$12\frac{27}{32}$	$7\frac{1}{8}$	17	16	$11\frac{3}{4}$	$13\frac{1}{2}$	8	6	$14\frac{1}{4}$	12	8	$\frac{7}{8}$	1

All Dimensions Are in Inches
 All Flanges Are 125 Lb. American Standard Cast Iron (Same as 150 Lb. American Standard Steel)